

5065XY Outdoor Basketball Backstop

Section 1 - Installing Pole

Please Note: Inspect all contents prior to installation. Report any missing parts to dealer immediately.

⚠ Caution: Read all instructions before proceeding.

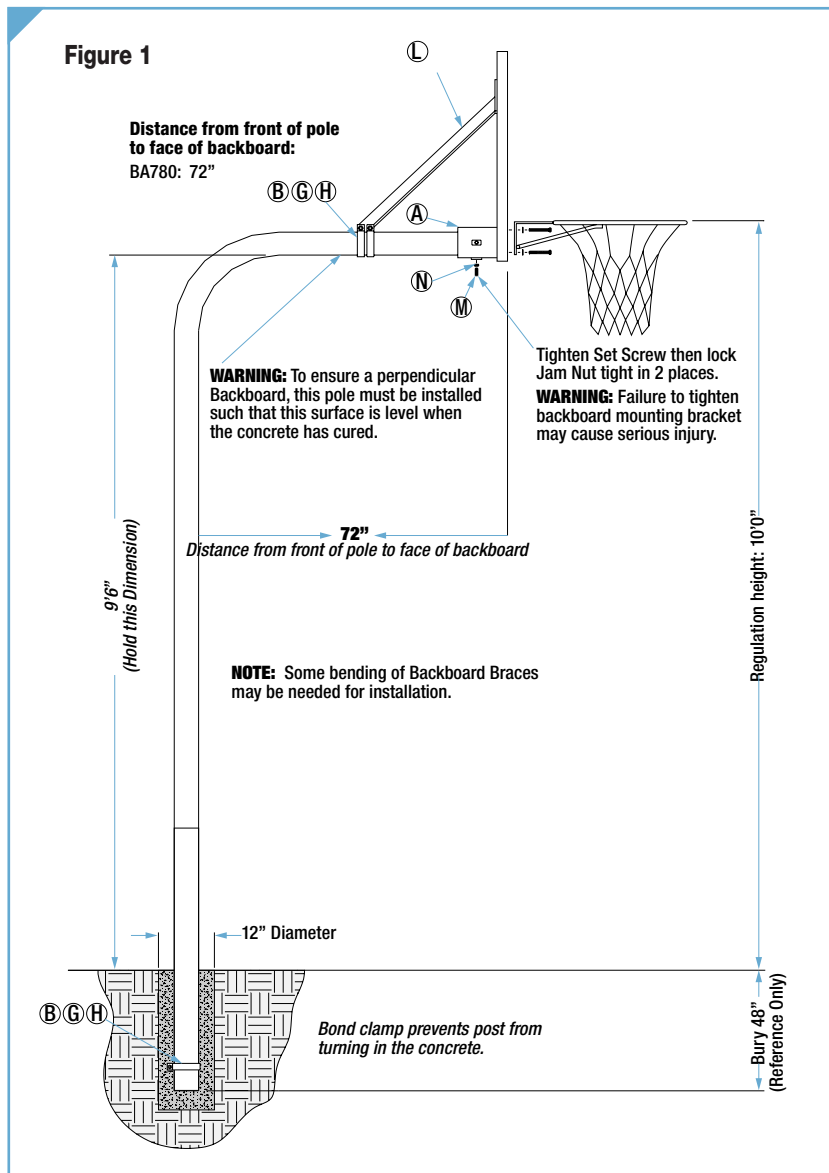
1. Select location for concrete base footing. Dig a 12" diameter hole that is a minimum of 48" deep. In areas where normal frost line is below 36" it is advisable to dig to normal frost line. *(Consult a local concrete contractor if necessary.)*
2. Use a broomstick or similar pole to vibrate air pockets out of concrete. Hole will require approximately 3.25 cubic ft. of 3000 PSI concrete (8 - 10 60# bags of premix concrete). Adjust amount depending on size of hole.

Please Note: Prepare an adequate amount of concrete beforehand to ensure proper strength of footing.

3. Mix concrete according to directions on bag. Fill hole to ground level. Attach 5 9/16" Band Clamp (B) with 5/16" X 2" Carriage Bolt (G), and 5/16" Flange Nut (H) to bottom end of pole and insert pole into concrete while vibrating concrete to allow it to surround pole completely. Pole height from ground to bottom of bend should be 9' 6". *(Fig. 1 and 3).*

Please Note: Keep mixture "wet" to increase working time and allow batches to mix in hole.

4. Clean excess concrete from pole. Level pole in hole and allow footing to cure for seven (7) days. **DO NOT PROCEED** until concrete has cured for seven days.



PARTS LIST

| Item | Qty | Description |
|------|-----|-----------------------------|
| A | 1 | Backboard Mounting Bracket |
| B | 3 | 5 9/16" Band Clamp |
| C | 2 | 7/16" x 2" Carriage Bolt |
| D | 2 | 3/8" x 1" Hex Bolt |
| E | 2 | 3/8" Flat Washer |
| F | 2 | 3/8" Lock Washer |
| G | 3 | 5/16" x 2" Carriage Bolt |
| H | 3 | 5/16" Flange Nut |
| I | 2 | 7/16" Flat Washer |
| J | 2 | 7/16" Lock Washer |
| K | 2 | 7/16" Hex Nut |
| L | 2 | Backboard Brace |
| M | 2 | 1/2" Set Screw, Square Head |
| N | 2 | 1/2" Jam Nut |

If you have any difficulties installing or servicing your 5065XY Outdoor Basketball Backstop, call your dealer or Draper, Inc.

5065XY Outdoor Basketball Backstop

Section 2 - Installing Backboard

- When the concrete has cured, slide two 5 ⁹/₁₆" Band Clamps (B) on to gooseneck portion of pole.
- Assemble rim and backboard to Backboard Mounting Bracket (A), then attach Backboard Mounting Bracket (A) to end of pole with ¹/₂" Square Head Set Screws (M). Ensure that rim and backboard are level.
- Depending upon style of backboard, fasten Backboard Braces (L) to backboard (Fig. 2 and 3) with:
 - ⁷/₁₆" X 2" Carriage Bolts (C)
 - ⁷/₁₆" Flat Washers (I)
 - ⁷/₁₆" Lock Washers (J)
 - ⁷/₁₆" Hex Nuts (K)

or

 - ³/₈" X 1" Hex Bolt (D)
 - ³/₈" Flat Washers (E)
 - ³/₈" Lock Washers (F)

Figure 2

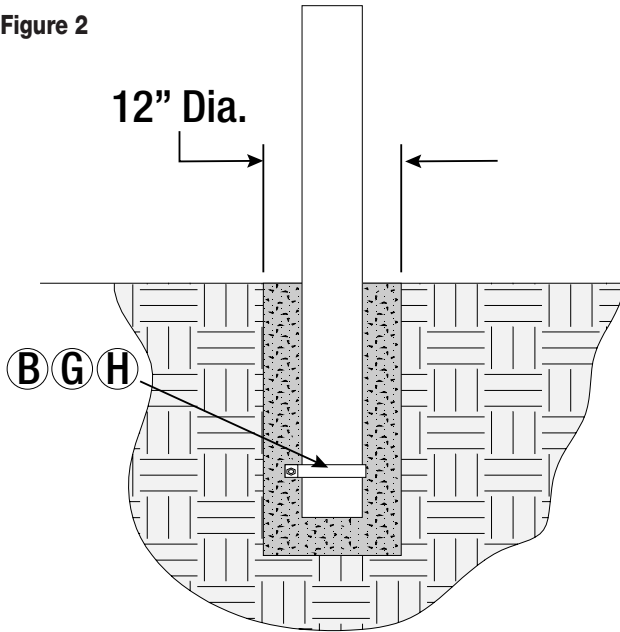
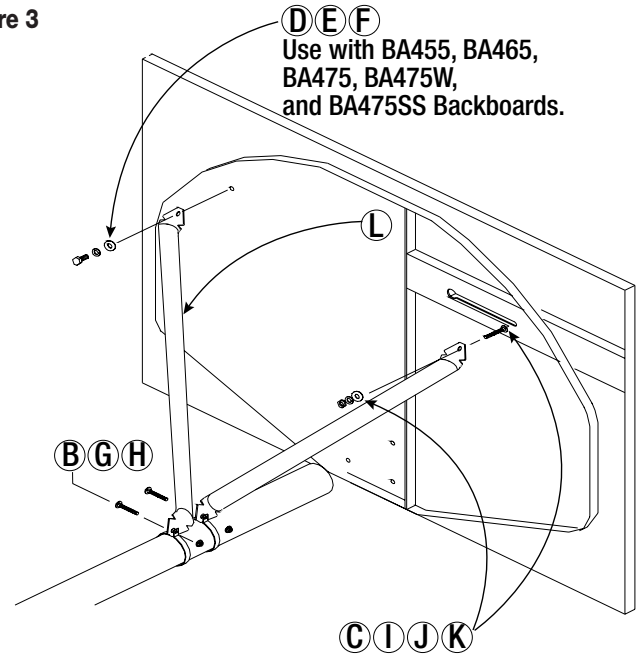


Figure 3



PARTS LIST

| Item | Qty | Description |
|------|-----|---|
| A | 1 | Backboard Mounting Bracket |
| B | 3 | 5 ⁹ / ₁₆ " Band Clamp |
| C | 2 | ⁷ / ₁₆ " x 2" Carriage Bolt |
| D | 2 | ³ / ₈ " x 1" Hex Bolt |
| E | 2 | ³ / ₈ " Flat Washer |

| Item | Qty | Description |
|------|-----|---|
| F | 2 | ³ / ₈ " Lock Washer |
| G | 3 | ⁵ / ₁₆ " x 2" Carriage Bolt |
| H | 3 | ⁵ / ₁₆ " Flange Nut |
| I | 2 | ⁷ / ₁₆ " Flat Washer |
| J | 2 | ⁷ / ₁₆ " Lock Washer |

| Item | Qty | Description |
|------|-----|--|
| K | 2 | ⁷ / ₁₆ " Hex Nut |
| L | 2 | Backboard Brace |
| M | 2 | ¹ / ₂ " Set Screw, Square Head |
| N | 2 | ¹ / ₂ " Jam Nut |